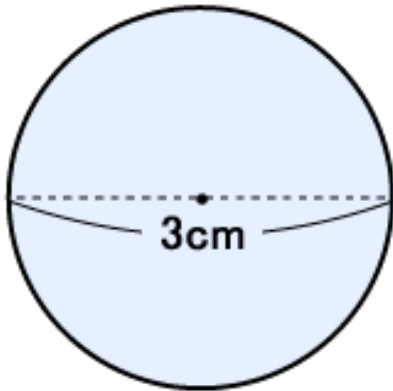


6年生の計算プリント

■円の面積 (1)

名前 _____

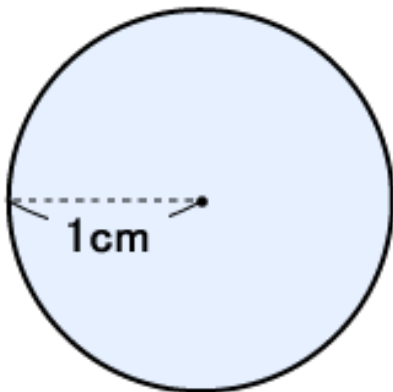
(1)



[式]

[答え]

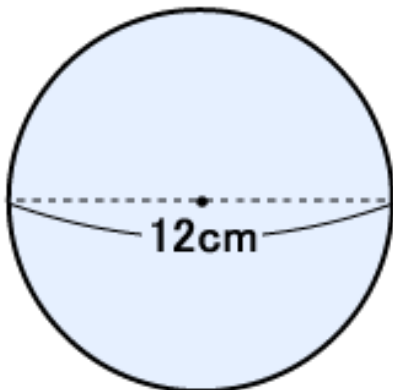
(2)



[式]

[答え]

(3)



[式]

[答え]

6年生の計算プリント

■円の面積 (1)

名前 _____

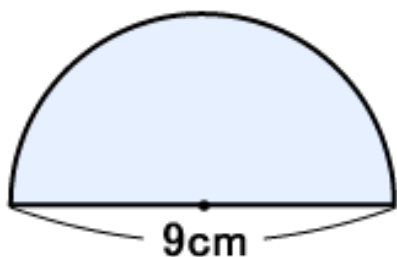
(1)



[式]

[答え]

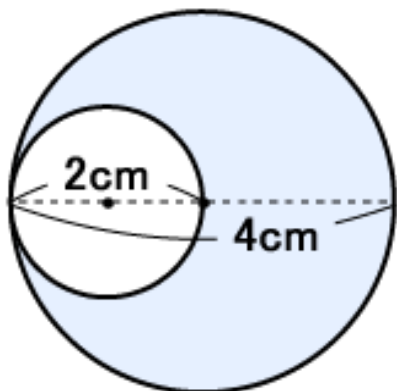
(2)



[式]

[答え]

(3)



[式]

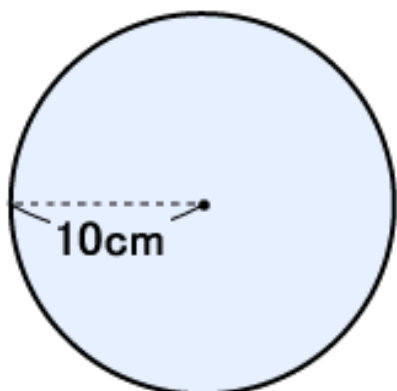
[答え]

6年生の計算プリント

■円の面積 (1)

名前 _____

(1)



[式]

[答え]

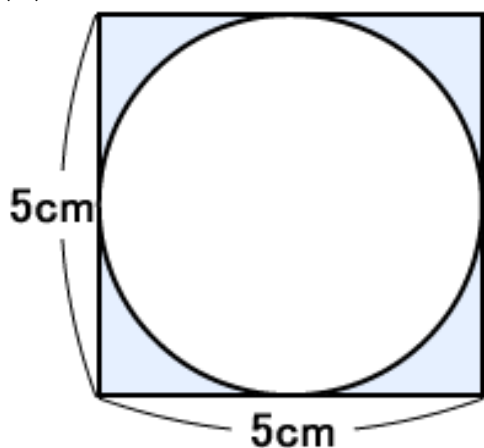
(2)



[式]

[答え]

(3)



[式]

[答え]

答え ■円の面積 (1)

page 1

$$\begin{array}{r}
 (1) \quad 3 \div 2 = 1.5 \\
 1.5 \times 1.5 \times 3.14 = 7.065 \\
 \hline
 \text{答え} \quad 7.065 \text{ cm}^2
 \end{array}$$

$$\begin{array}{r}
 (2) \quad 1 \times 1 \times 3.14 = 3.14 \\
 \hline
 \text{答え} \quad 3.14 \text{ cm}^2
 \end{array}$$

$$\begin{array}{r}
 (3) \quad 12 \div 2 = 6 \\
 6 \times 6 \times 3.14 = 113.04 \\
 \hline
 \text{答え} \quad 113.04 \text{ cm}^2
 \end{array}$$

page 2

$$\begin{array}{r}
 (1) \quad 5 \times 5 \times 3.14 = 78.5 \\
 78.5 \div 4 = 19.625 \\
 \hline
 \text{答え} \quad 19.625 \text{ cm}^2
 \end{array}$$

$$\begin{array}{r}
 (2) \quad 9 \div 2 = 4.5 \\
 4.5 \times 4.5 \times 3.14 = 63.585 \\
 63.585 \div 2 = 31.7925 \\
 \hline
 \text{答え} \quad 31.7925 \text{ cm}^2
 \end{array}$$

(3) 大きい円から小さい円を引く

$$\begin{array}{r}
 2 \times 2 \times 3.14 = 12.56 \quad \dots \text{大きい円} \\
 2 \div 2 = 1 \\
 1 \times 1 \times 3.14 = 3.14 \quad \dots \text{小さい円} \\
 12.56 - 3.14 = 9.42 \\
 \hline
 \text{答え} \quad 9.42 \text{ cm}^2
 \end{array}$$

答え ■円の面積 (1)

page 3

$$(1) \quad \begin{array}{r} 10 \times 10 \times 3.14 = 314 \\ \hline \text{答え} \quad 314 \text{ cm}^2 \end{array}$$

$$(2) \quad \begin{array}{r} 13 \times 13 \times 3.14 = 530.66 \\ 530.66 \div 4 = 132.665 \\ \hline \text{答え} \quad 132.665 \text{ cm}^2 \end{array}$$

(3) 四角形から円を引く

$$\begin{array}{r} 5 \times 5 = 25 \quad \dots \text{四角形} \\ 5 \div 2 = 2.5 \\ 2.5 \times 2.5 \times 3.14 = 19.625 \quad \dots \text{円} \\ 25 - 19.625 = 5.375 \\ \hline \text{答え} \quad 5.375 \text{ cm}^2 \end{array}$$